

ILLUSTRATED PARTS LIST

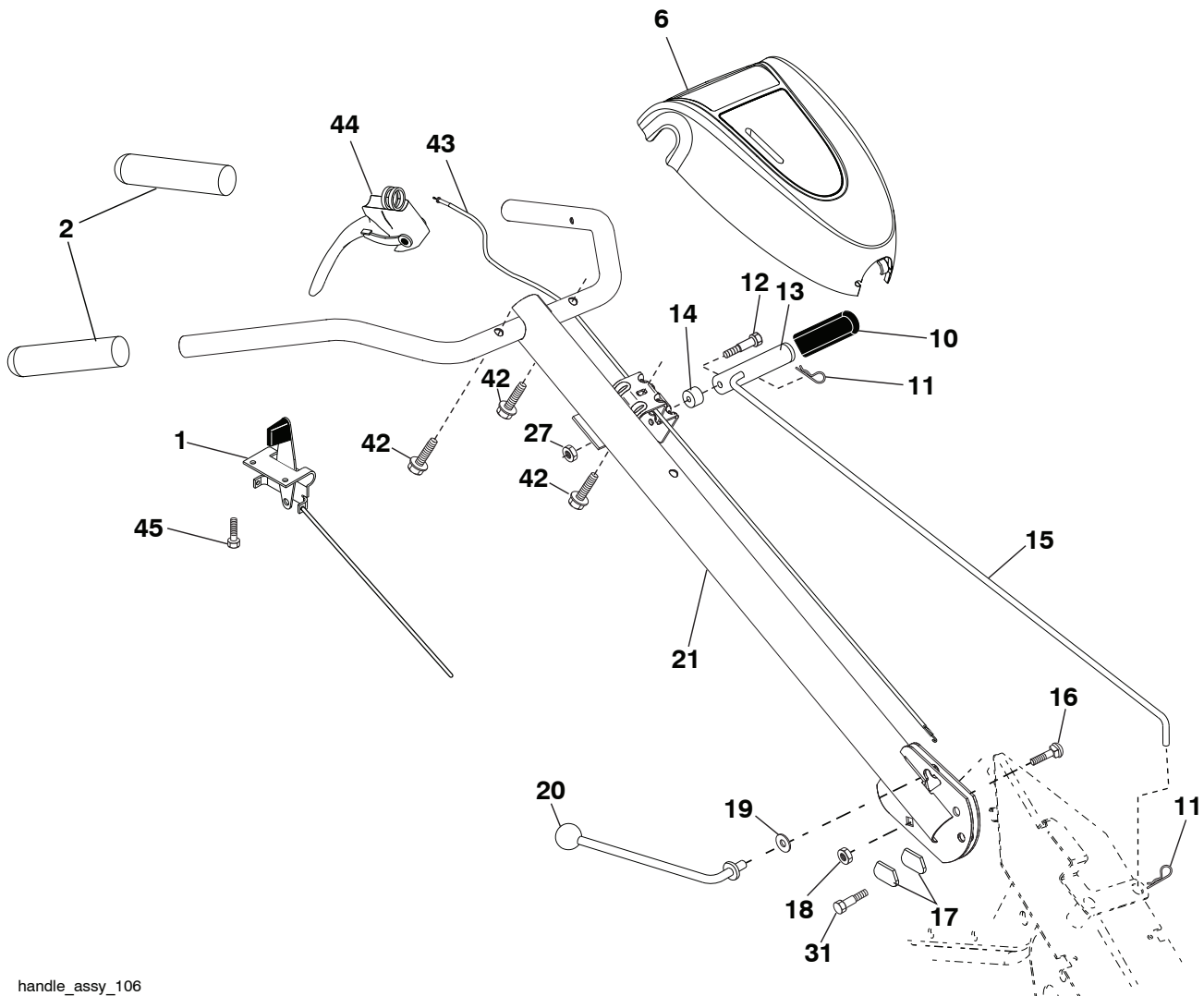
MFG. ID NO. 96091001802

CUSTOMER CATALOG NO. TR 430 DUAL

PRODUCT NO. 960 91 00-18

REPAIR PARTS

TILLER - - MODEL NO. TR 430 DUAL (96091001802), PRODUCT NO. 960 91 00-18
HANDLE ASSEMBLY



handle_assy_106

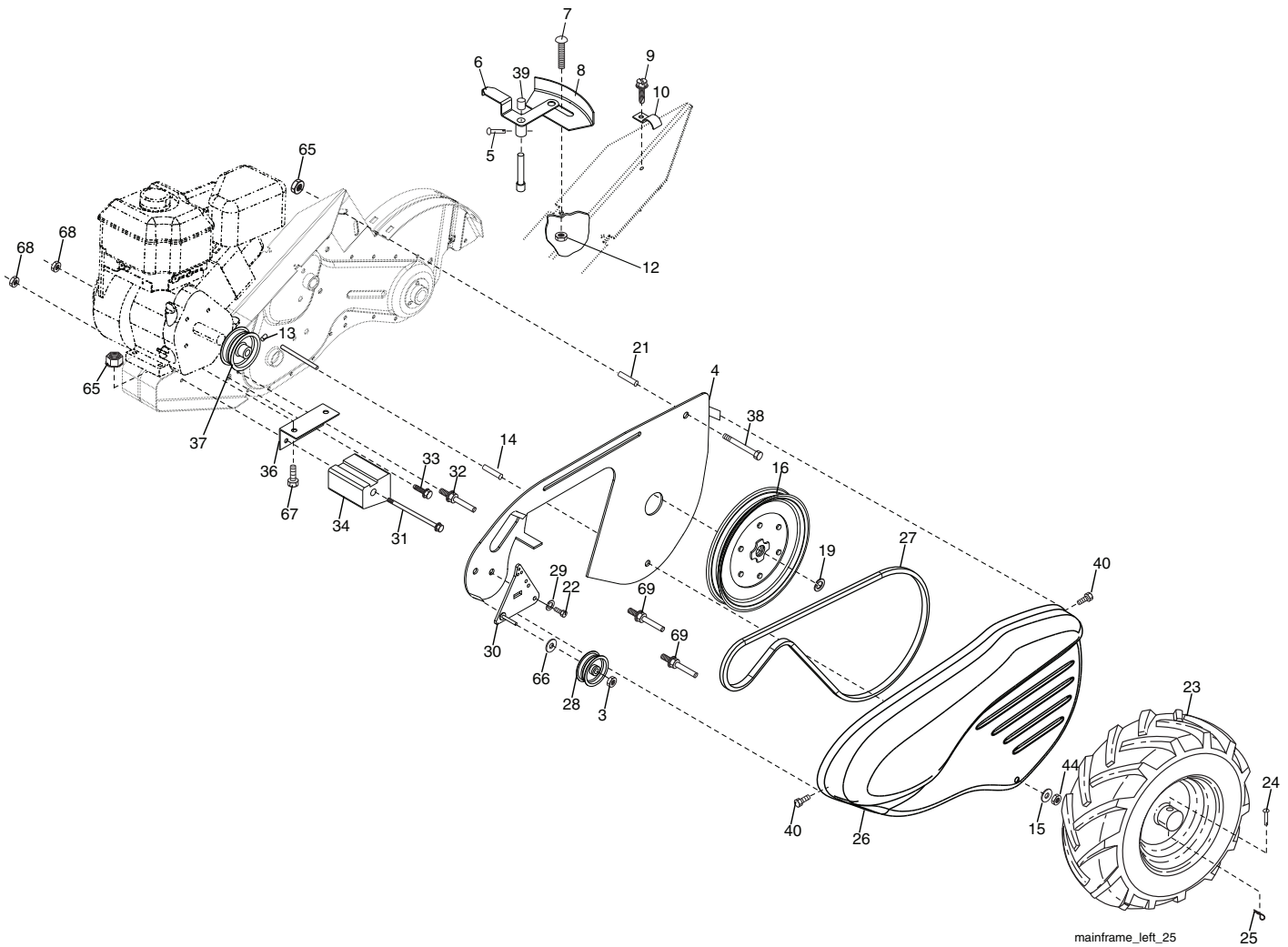
KEY NO.	PART NO.	DESCRIPTION
1	532 17 57-69	Control, Throttle
2	532 42 76-43	Grip, Handle
6	532 44 60-02	Panel, Control
10	532 12 47-97	Grip, Handle
11	532 12 47-88	Retainer, Spring
12	532 08 13-28	Bolt, Shoulder
13	532 18 74-97	Handle, Shift
14	532 10 93-13	Grommet, Rubber
15	532 10 93-37	Rod, Shift
16	872 11 06-08	Bolt, Carriage 3/8-16 x 1 Gr. 5
17	532 10 92-29	Lock, Handle
18	873 68 06-00	Nut, Crownlock 3/8-16 unc
19	819 13 16-11	Washer 13/32 x 1 x 11 Ga.
20	532 10 92-28	Lever, Lock, Handle

KEY NO.	PART NO.	DESCRIPTION
21	532 44 61-56	Handle
27	873 90 04-00	Nut, Hex Flange 1/4-20 unc
31	532 15 06-96	Bolt, Pivot
42	532 41 63-58	Screw #10 x .750 BOS Thread
43	532 43 87-95	Cable Handle Tine Control
44	532 43 87-82	Control Handle Two Function
45	532 42 17-56	Screw #10 x .500 BOS Thread

NOTE: All component dimensions given in U.S. inches.
1 inch = 25.4 mm

REPAIR PARTS

TILLER - - MODEL NO. TR 430 DUAL (96091001802), PRODUCT NO. 960 91 00-18
 MAINFRAME, LEFT SIDE



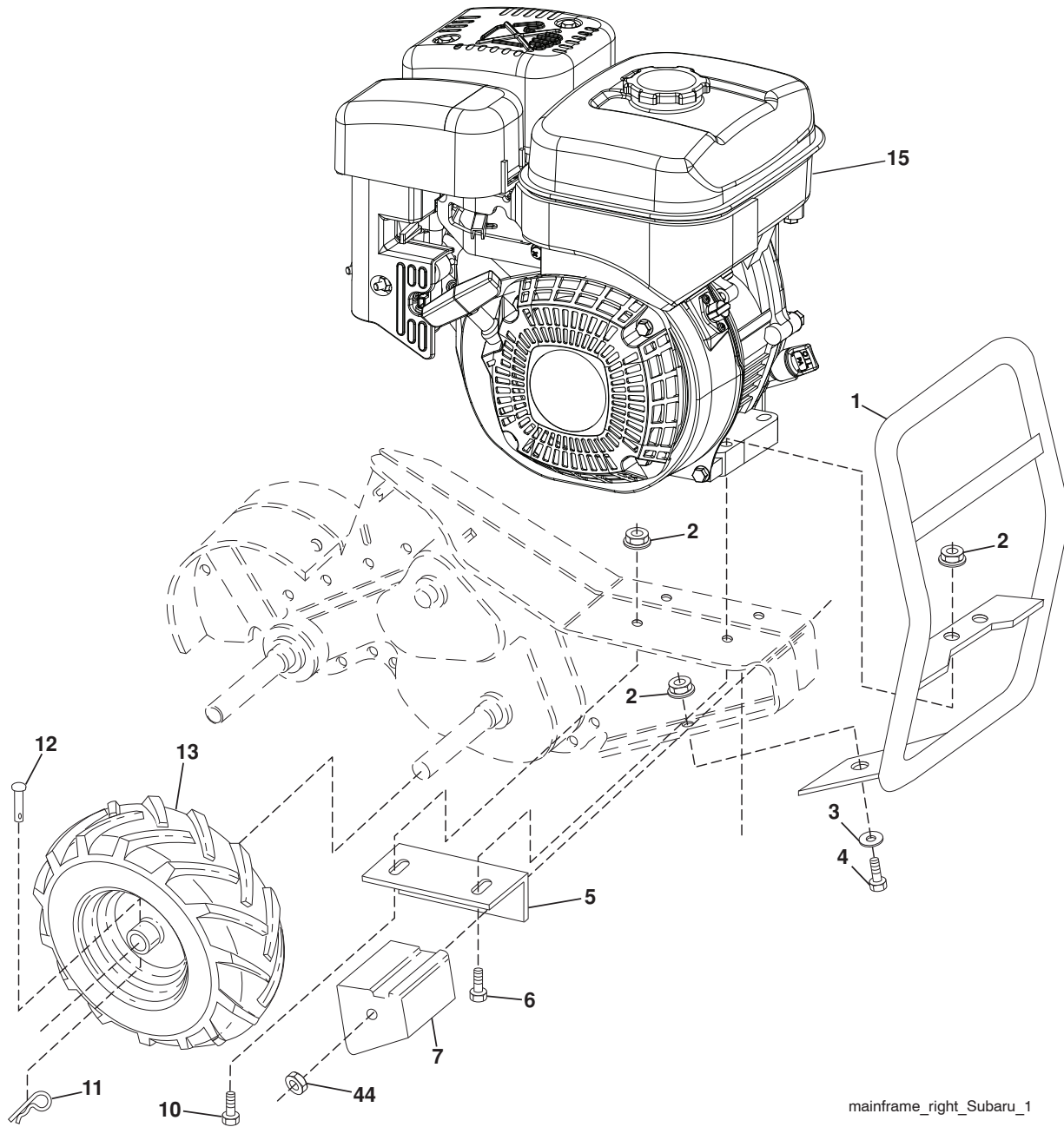
KEY NO.	PART NO.	DESCRIPTION
3	873 22 06-00	Nut, Hex 3/8-16
4	532 43 24-20	Shield, Inner Belt Guard RT
5	532 16 43-29	Pin Spirol Flared
6	532 16 27-56	Lever, Shift
7	872 11 04-04	Bolt, Carriage 1/4-20 x 1/2 Gr. 5
8	532 16 15-30	Plate, Shift Indicator
9	532 08 67-77	Screw, Hex, Washer Head, Slotted #10-24 x 1/2
10	532 00 94-84	Clip
12	873 51 04-00	Nut, Keps Hex 1/4-20 unc
13	823 23 05-06	Screw, Set, Hex 5/16-18 x 3/8
14	532 11 06-52	Spacer, Split 0.327 x 0.42 x 2.09
15	819 11 11-16	Washer 11/32 x 11/16 x 16 Ga.
16	532 14 51-02	Sheave, Transmission
19	812 00 00-28	Retainer, Ring
21	532 15 61-17	Spacer, Split
22	874 77 05-08	Bolt, Fin Hex 5/16-24 unf x 1/2
23	532 10 21-90	Tire
	532 15 07-40	Rim
	532 12 47-18	Tire Valve
24	532 12 68-75	Rivet, Drilled
25	532 12 47-88	Clip, Hairpin
26	532 44 04-38	Guard, Belt

KEY NO.	PART NO.	DESCRIPTION
27	532 13 28-01	Belt, V
28	532 10 46-79	Pulley, Idler
29	812 00 00-32	Ring, Klip
30	532 15 92-29	Bracket, Idler
31	532 10 23-84	Bolt, Hex 5/16-16 x 12
32	532 10 21-41	Shaft, Idler Arm
33	874 76 06-16	Bolt, Hex 3/8-16 x 1
34	532 10 23-83	Counterweight, L. H.
36	532 10 23-31	Bracket, Reinforcement, L. H.
37	532 13 08-12	Sheave, Engine
38	874 76 05-44	Bolt, Fin Hex 5/16-18 unc x 2-3/4
39	532 14 00-62	Cap, Plunger Blk
40	532 17 04-88	Screw Hex Wsh Slit #10-24 x 1/2
44	873 80 05-00	Nut Lock Hex w/Ins 5/16-18 unc PL
65	873 97 05-00	Nut Lock Hex Flange
66	819 13 13-12	Washer 13/32 x 13/16 x 12 Ga.
67	874 76 05-28	Bolt, Hex 5/16-18 x 1-3/4
68	873 51 06-00	Nut Keps Hex 3/8-16 unc
69	532 16 41-73	Keeper Belt Engine

NOTE: All component dimensions given in U.S. inches.
 1 inch = 25.4 mm

REPAIR PARTS

TILLER - - MODEL NO. TR 430 DUAL (96091001802), PRODUCT NO. 960 91 00-18
 MAINFRAME, RIGHT SIDE



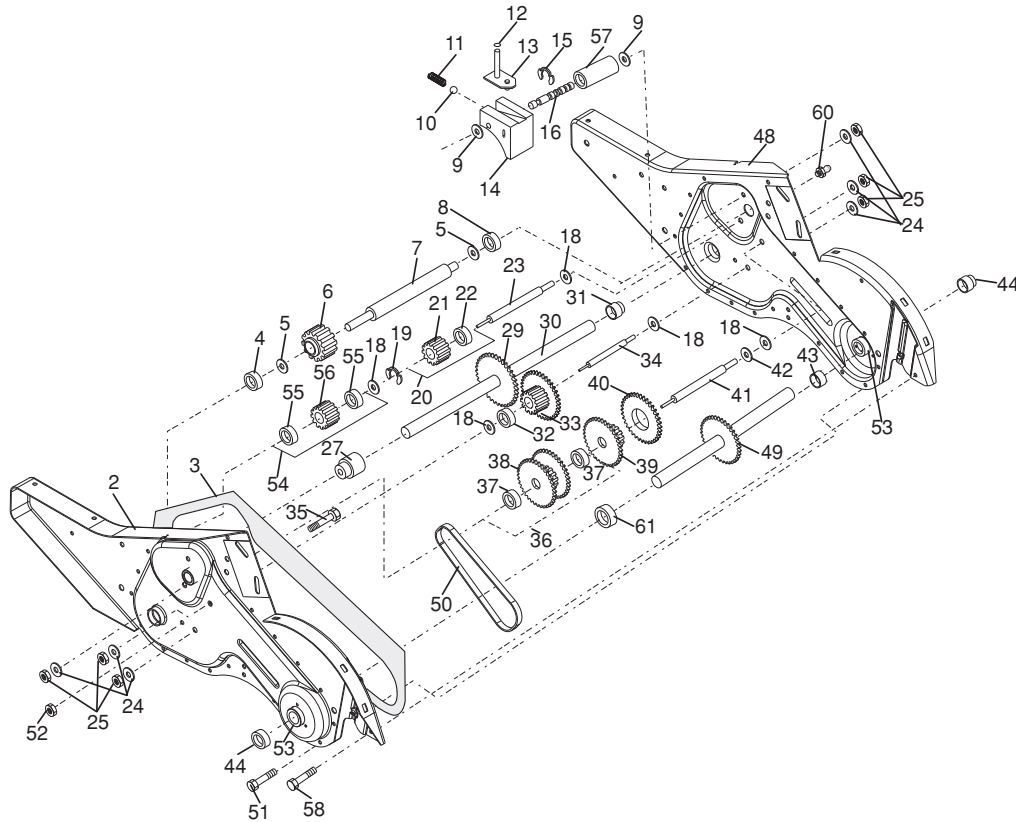
KEY NO.	PART NO.	DESCRIPTION
1	532 18 51-90	Bumper Asm.
2	873 97 05-00	Locknut, Hex, Flange 5/16-18
3	819 11 11-16	Washer 11/32 x 11/16 x 16 Ga.
4	874 76 05-12	Bolt 5/16-18 x 3/4
5	532 10 23-32	Bracket, Reinforcement R.H.
6	874 76 05-28	Bolt 5/16-18 x 1-3/4
7	532 10 21-73	Counter Weight, R.H.
10	874 76 05-24	Bolt, Hex 5/16-18 x 1-1/2
11	532 12 47-88	Clip, Hairpin
12	532 12 68-75	Rivet, Drilled
13	532 10 21-90	Tire
	532 15 07-40	Rim

KEY NO.	PART NO.	DESCRIPTION
	532 12 47-18	Tire Valve
15	-----	Engine, Subaru Model No. EX170DT1070 (432142) (Order parts from Engine Manufacturer.)
44	873 51 06-00	Nut Keps Hex 3/8-16 unc

NOTE: All component dimensions given in U.S. inches
 1 inch = 25.4 mm

REPAIR PARTS

TILLER - - MODEL NO. TR 430 DUAL (96091001802), PRODUCT NO. 960 91 00-18 TRANSMISSION



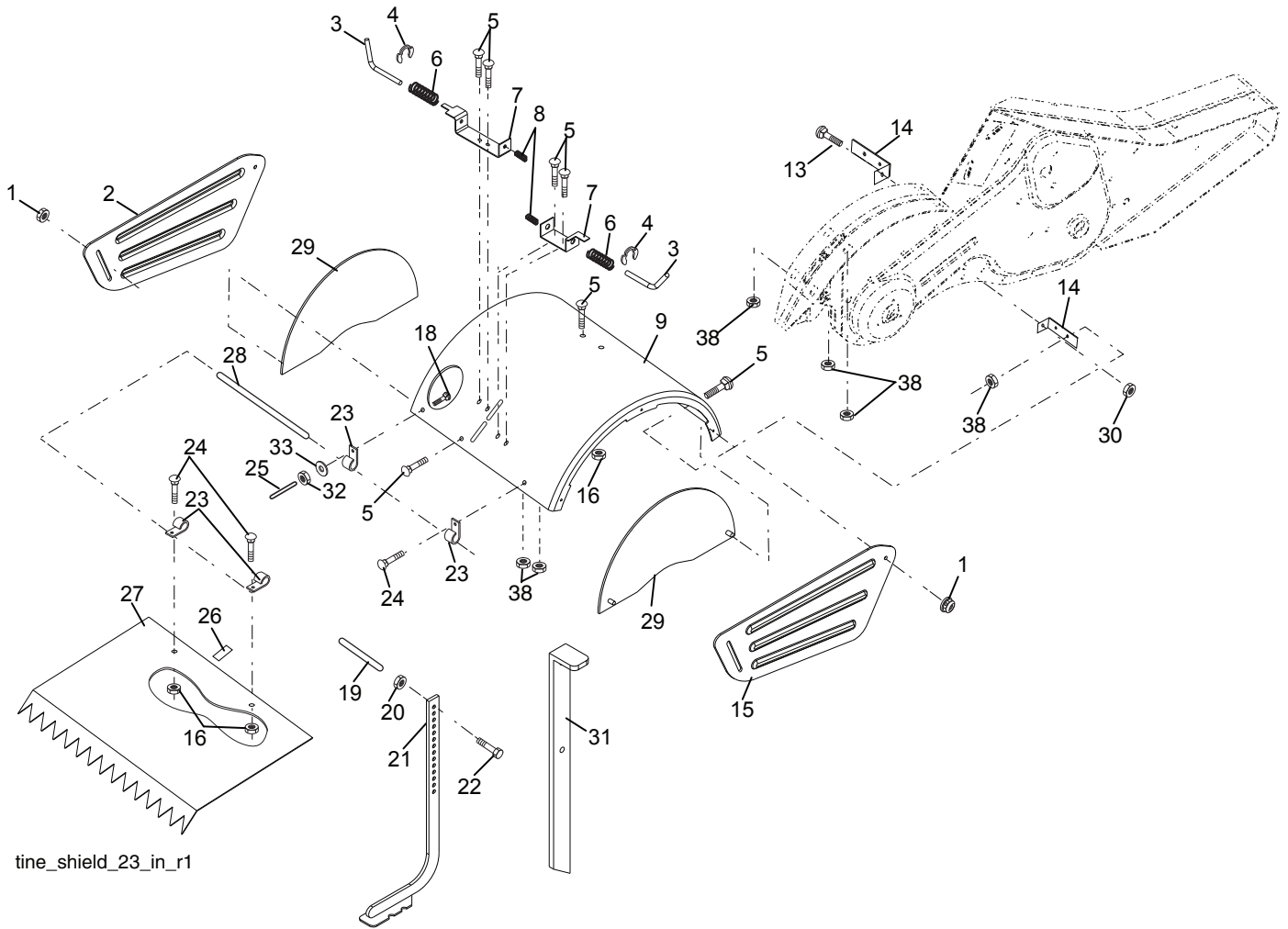
transmission_25

KEY NO.	PART NO.	DESCRIPTION	KEY NO.	PART NO.	DESCRIPTION
1	532 18 82-40	Transmission Assembly (Includes Key Nos. 2-52)	34	532 10 21-12	Shaft, Reduction (2nd)
2	532 18 82-20	Gearcase, L.H. w/Bearing (Includes Key No. 4)	35	532 10 21-01	Screw, Whiz, Lock 5/16-18 x 3-1/2
3	532 43 10-22	Gasket, Gearcase	36	532 16 15-24	Sprocket Assembly w/Bearing (Includes Key Nos. 37 and 38)
4	532 00 50-20	Bearing, Needle	37	532 10 04-13	Bearing, Needle
5	532 00 13-70	Washer, Thrust 5/8 x 1.10 x 1/32	38	532 16 15-25	Sprocket, Tine
6	532 16 15-20	Pinion, Input	39	532 16 15-26	Gear, Cluster, Red 1st & 2nd
7	532 16 15-18	Shaft, Input	40	532 10 53-46	Gear, Reverse
8	532 00 48-95	Bearing, Needle	41	532 16 15-23	Shaft, Reduction (1st)
9	532 15 44-67	Washer, Seal	42	532 00 42-20	Washer, Thrust
10	532 00 73-92	Ball, Steel	43	532 10 61-46	Spacer 1.01 x 1.75 x 0.760
11	532 10 03-71	Spring, Shift, Fork	44	532 15 52-36	Seal Asm. Oil
12	532 10 61-60	O-Ring	48	532 18 82-35	Gearcase, R.H. w/Bearing (Includes Key No. 8)
13	532 14 21-45	Arm, Shift	49	532 43 14-85	Shaft, Tine
14	532 00 83-53	Fork, Shift	50	532 10 61-47	Chain, Roller #50-50 Pitch
15	812 00 00-39	Ring, Klip	51	817 72 04-08	Screw 1/4-20 x 1/2
16	532 16 15-16	Shaft, Shift	52	873 22 05-00	Nut, Hex 5/16-18
18	532 00 43-58	Washer	53	532 16 51-40	Bearing Kit, Tine Shaft
19	812 00 00-40	Ring, Klip	54	532 16 15-28	Gear, DRT Idler w/Bearing (Includes Key No. 55)
20	532 10 21-14	Gear, Assembly, Reverse Idler (Includes Key Nos. 21 and 22)	55	532 00 34-00	Bearing, Needle
21	532 10 21-15	Gear, Reverse Idler	56	532 16 15-29	Gear, DRT Idler
22	532 00 68-03	Bearing, Needle	57	532 16 58-89	Spacer, Split .52 x .64 x 1.04
23	532 16 15-27	Shaft, Reverse Idler	58	532 17 95-20	Screw 1/4-20 x .875
24	810 04 07-00	Washer, Lock 7/16	60	532 18 32-26	Fitting Grease
25	873 61 07-00	Nut, Hex 7/16-20	61	532 43 10-15	Spacer 1.015 x 1.50 x .650
27	532 43 12-19	Bearing, Shaft, Ground Drive L.H.	--	532 00 60-66	Grease, Plastilube #1
29	532 10 21-34	Chain #35-50 Pitch			
30	532 15 07-37	Ground Shaft Assembly			
31	532 14 30-08	Bearing, Shaft, Ground Drive R.H.			
32	532 10 63-88	Spacer 0.70 x 1.00 x 1.150			
33	532 10 21-21	Sprocket and Gear Assembly			

NOTE: All component dimensions given in U.S. inches.
1 inch = 25.4 mm

REPAIR PARTS

TILLER - - MODEL NO. TR 430 DUAL (96091001802), PRODUCT NO. 960 91 00-18
TINE SHIELD



tine_shield_23_in_r1

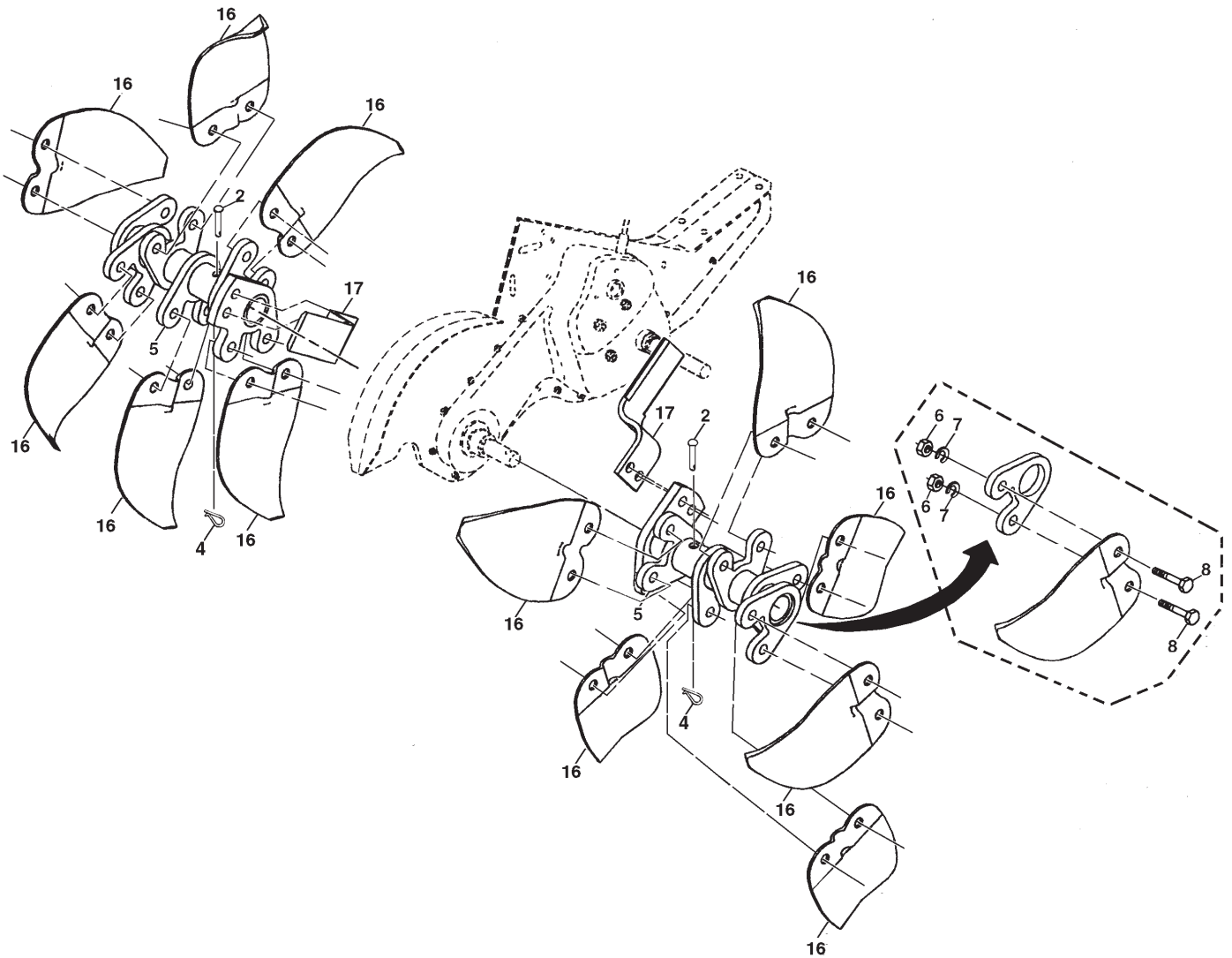
KEY NO.	PART NO.	DESCRIPTION
1	873 90 05-00	Nut, Lock Hex Flange 5/16-18 unc
2	532 44 04-52	Shield, Side, Outer L. H.
3	532 00 83-93	Pin, Stake, Depth
4	812 00 00-35	Ring, Klip
5	532 18 08-47	Bolt Rdhd Sqnk 5/16-18 x 3/4
6	532 00 83-94	Spring
7	532 00 83-92	Bracket, Latch
8	532 10 92-30	Spring, Depth Stake
9	532 44 04-44	Shield, Tine
13	872 11 05-10	Bolt, Carriage 5/16-18 x 1-1/4
14	532 12 43-43	Bracket, Shield Tine
15	532 44 04-50	Shield, Side, Outer R.H.
16	873 90 04-00	Nut, Hex Flange 1/4-20
18	872 04 04-10	Bolt, Carriage 1/4-20 x 1-1/4 Gr. 5
19	532 10 27-01	Grip
20	873 22 06-00	Nut, Hex 3/8-16
21	532 10 21-56	Stake, Depth
22	874 93 06-32	Bolt, Hex 3/8-16 x 2

KEY NO.	PART NO.	DESCRIPTION
23	532 00 44-40	Hinge
24	872 14 04-04	Bolt, Carriage 1/4-20 x 1/2
25	532 12 47-17	Cap, Vinyl
26	532 10 92-27	Pad, Idler
27	532 44 04-48	Shield, Leveling
28	532 12 05-88	Pin, Hinge
30	873 97 05-00	Nut Lock Flange
29	532 44 04-49	Shield, Side
31	532 42 34-63	Stake, Drag
32	873 22 04-00	Nut, Fin, Hex 1/4-20 unc
33	810 04 04-00	Washer Lock Hvy Helical 1/4
38	873 51 05-00	Nut Keps Hex 5/16-18 unc

NOTE: All component dimensions given in U.S. inches.
1 inch = 25.4 mm

REPAIR PARTS

TILLER - - MODEL NO. TR 430 DUAL (96091001802), PRODUCT NO. 960 91 00-18
TINE ASSEMBLY



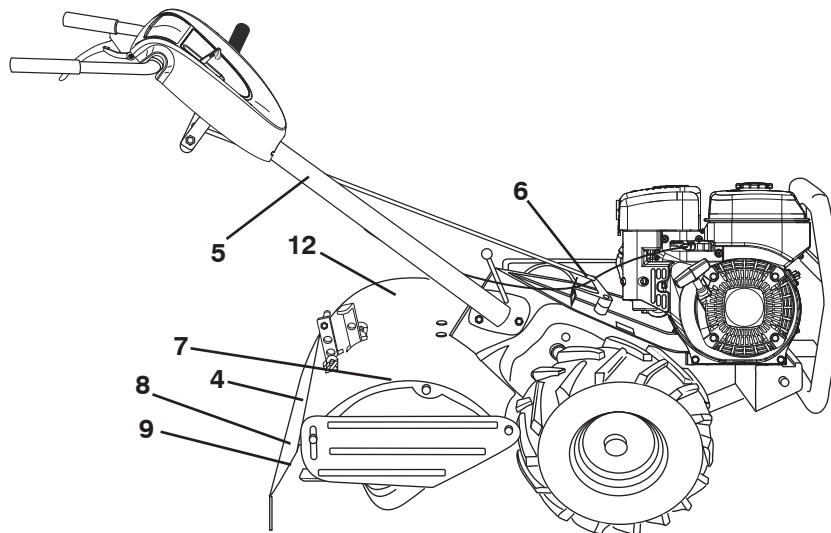
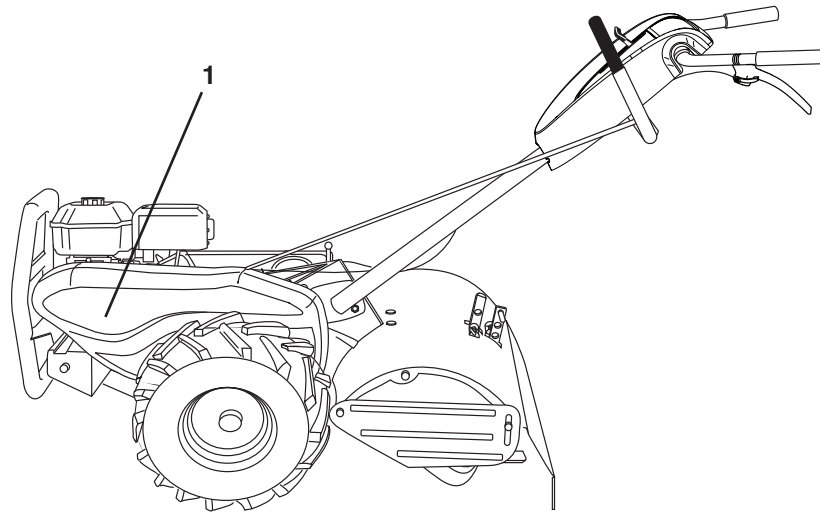
KEY NO.	PART NO.	DESCRIPTION
2	532 13 26-73	Pin, Shear
4	532 12 46-60	Clip, Hairpin
5	532 18 88-45	Hub Assembly
6	873 61 06-00	Nut, Hex 3/8-24
7	810 04 06-00	Washer, Lock 3/8

KEY NO.	PART NO.	DESCRIPTION
8	874 61 06-16	Bolt, Hex 3/8-24 x 1
16	532 16 34-99	Tine, Spade
17	532 16 35-00	Tine, Cleaning

NOTE: All component dimensions given in U.S. inches.
1 inch = 25.4 mm

REPAIR PARTS

TILLER - - MODEL NO. TR 430 DUAL (96091001802), PRODUCT NO. 960 91 00-18
DECALS



KEY NO.	PART NO.	DESCRIPTION
1	532 42 91-96	Decal, Belt Guard
4	532 19 66-20	Decal, Tine Shield
5	532 15 98-77	Decal, Hand Placement
6	532 16 62-02	Decal, Shift Indicator
7	532 43 88-81	Decal, Reverse
8	532 14 54-37	Decal, Europe Stand CE.
9	532 17 65-57	Decal, Warning
12	532 43 88-80	Decal, Forward
--	532 44 60-32	Manual, Operator's Euro
--	532 44 60-33	Manual, Operator's Scand
--	532 44 60-34	Manual, Operator's E-Bloc
--	532 44 60-36	Manual, Operator's Baltic